

Conveyor belt FBA25

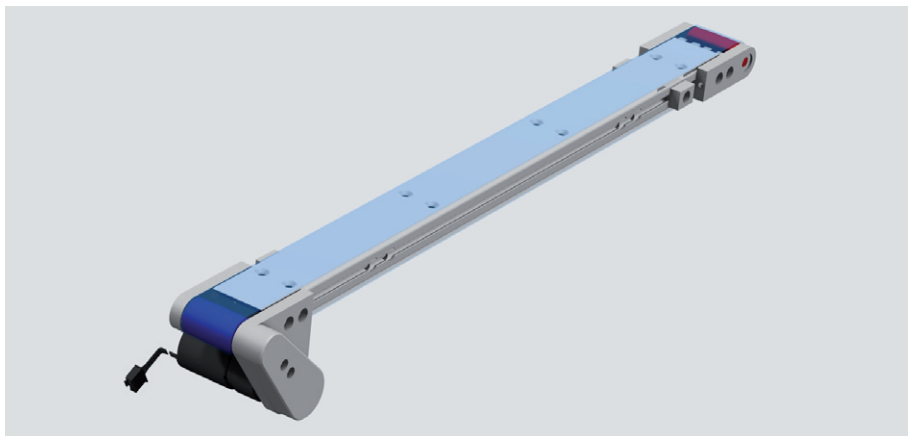
Characteristics

The belt width of 20 to 300 mm is a characteristic of the conveyor belts of type FBA25. They are especially well-suited for applications which have cramped spatial

conditions. Due to the knife edge at the beginning and end of the conveyor belt, transitions between the individual transportation systems are no problem with the FBA25.

In addition, very long transportation distances of up to 3000 mm can be realized.

Structure



Color scheme of the individual components:

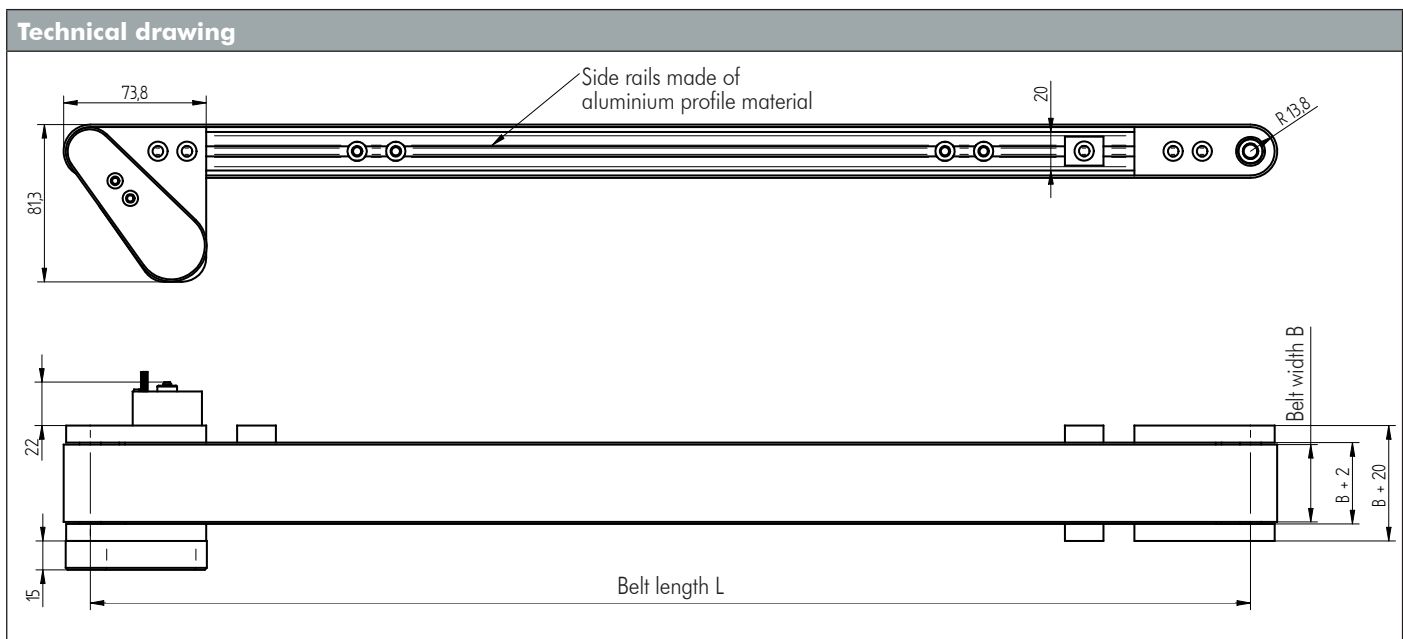
- Drive roll
- Deflector roll
- Conveyor belt
- Motor

Technical data

Device type	FBA25
Motor 1	24 V
Motor 2	230 V , 50/60 Hz
Belt speed [m/min]	1-15 / 3
Belt type	Fabric, uncoated, thickness 1.3 mm
min. belt width [mm]	20
max. min. belt width [mm]	300
min. belt length [mm]	250
max. belt length [mm]	3000
Protection class in accordance with DIN EN 60529	IP 40

Dimensions

Device type	Dimensions [mm]	
	Width B	Length L
FBA25	20 - 300	Freely selectable between 250 and 3000



Accessories

Designation	Description	Article no.
Motor 230 V	Instead of 24 V motor, alternatively 230 V motor, brushless	2-005333
Speed control DN21	Speed control DN21 for the continuous speed adjustment of 24 V DC motors, Adjustment of the conveyor belt speed, in 115V / 230V Ausführung lieferbar	2-009260
Belt type	Standard: Fabric, uncoated, thickness 1.3 mm	—