

Hopper combination

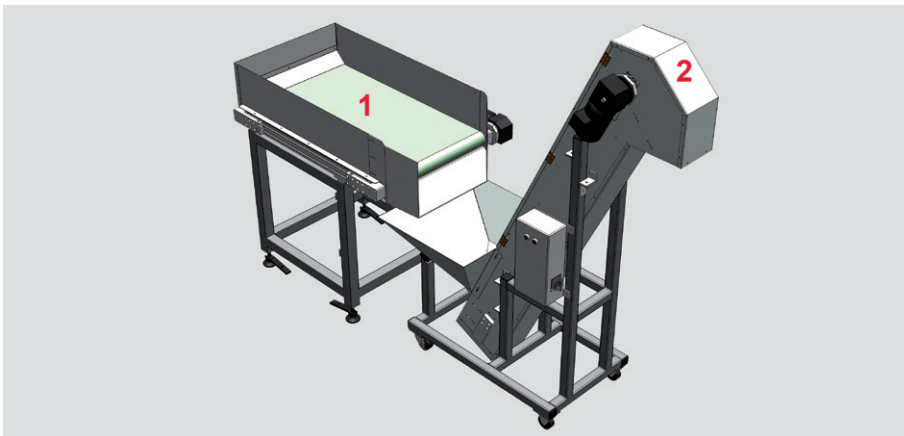
Characteristics

Thanks to the accommodation capacity of large part volumes, very long autonomous runtimes are possible with the combination of hopper types BBH and BSF-1. The

Grimm hopper combination is especially well-suited for stocking heavy parts. When being filled by operating personnel, the filling aid facilitates the operation. There is

also the possibility of extending it by an automatic tilting device for large containers.

Structure



Designation of the individual components:

1 hopper system, type BBH

2 hopper system, type BSF-1

Accessories

Designation	Description	Article no.
Hopper control BS5	Hopper control BS5 for belt hopper of type BSF-1, BBH, BBR, BBV	2-009382
Pendulum switch PS1	Pendulum switch PS1 for automated filling level control of bulk material in the sorting device, compact design, optical status display via LED, inductive switch without wear	2-002099
Filling level query	Filling level query in the bulk hopper with light barrier divided into two parts	–
Filling aid	Filling aid for manual filling	–
Tilting device	Tilting device for large containers	–