

# Hopper system BBR

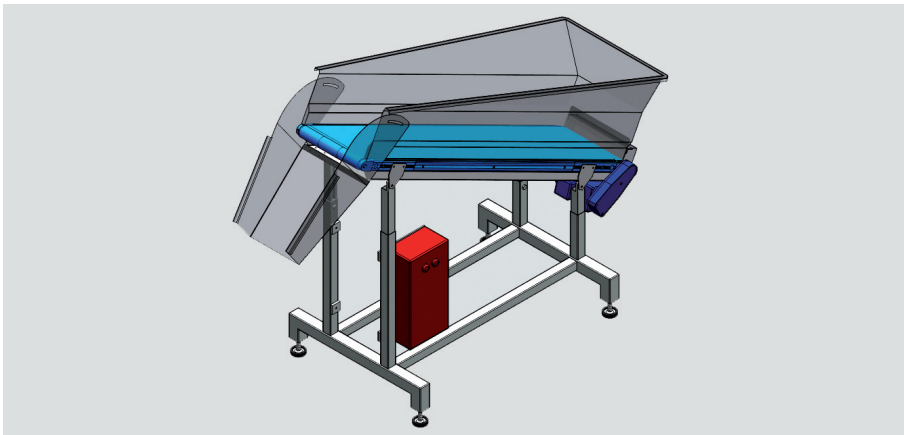
## Characteristics

The large hopper volume of the hopper of type BBR prolongs the manual refilling cycles considerably and increases the efficiency of the




entire system. Ideally, it is used for the storage and dosed provision of light, large-volume parts. The specially shaped bulk hopper reduces

the possibility of parts with unfavorable geometric forms getting stuck, i.e. so-called „bridge-building“ is prevented.

## Structure



Color scheme of the individual components:

-  Motor
-  Hopper control
-  Conveyor belt

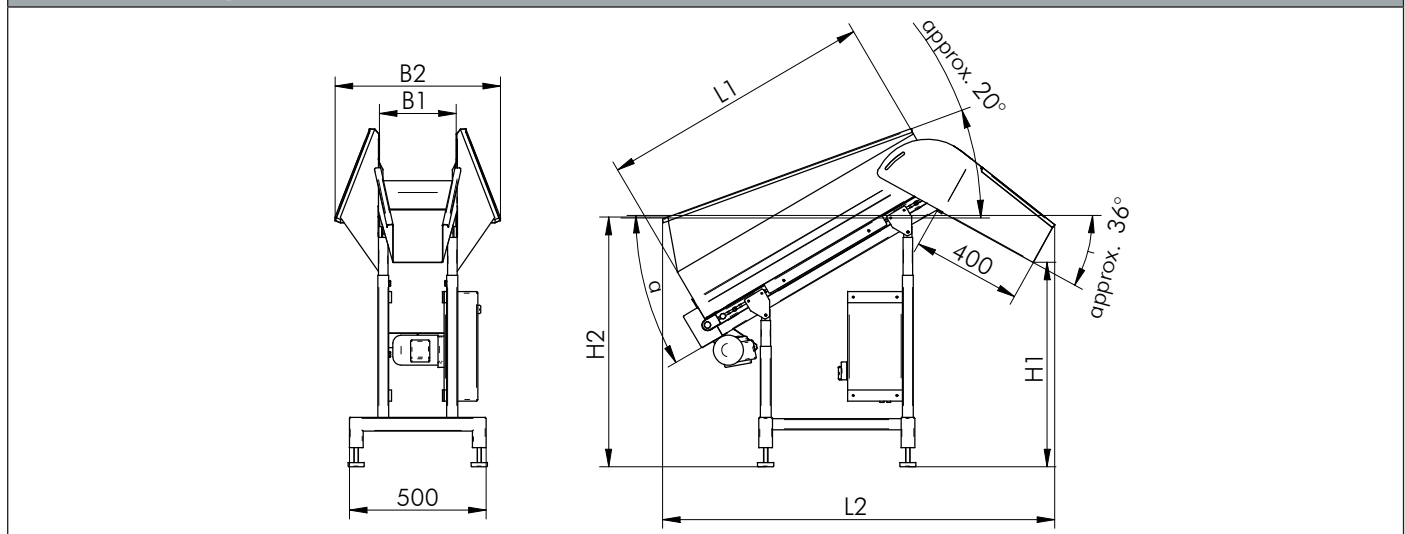
## Technical data

Device type	BBR65	BBR100	BBR150	BBR200	BBR250	BBR350
Material bulk hopper and chute	Stainless Steel	Stainless Steel	Stainless Steel	Stainless Steel	Stainless Steel	Stainless Steel
max. filling volume [l]	65	100	150	200	250	350
max. filling weight [kg]	50	75	75	75	75	75
Protection class in accordance with DIN EN 60529	IP 54	IP 54	IP 54	IP 54	IP 54	IP 54
Article no.	1-000024	1-000027	1-000026	1-000028	1-000029	1-000137

## Dimensions

Device type	Dimensions [mm]						
	Belt width $B_1$	Outlet height $H_1$	Filling height $H_2$	Positioning angle $A$	Hopper width $B_2$	Belt length $L_1$	Total length $L_2$
<b>BBR65</b>	250	730	910	20°-40°	604	1000	1414
<b>BBR100</b>	300	835	870	20°-40°	550	1500	1849
<b>BBR150</b>	300	835	970	20-40°	645	1500	1864
<b>BBR200</b>	300	835	1085	20-40°	800	1500	2058
<b>BBR250</b>	400	835	1090	20-40°	880	1500	2058
<b>BBR350</b>	400	1070	1205	20-40	1000	2000	2548

### Technical drawing



## Accessories

Designation	Description	Article no.
<b>Hopper control BS5</b>	Hopper control BS5 for belt hopper of type BSF-1, BBH, BBR, BBV	2-009382
<b>Pendulum switch PS1</b>	Pendulum switch PS1 for automated filling level control of bulk material in the sorting device, compact design, optical status display via LED, inductive switch without wear	2-002099
<b>Fast-emptying flap</b>	Fast-emptying flap allows a fast type change	–
<b>Filling level query</b>	Filling level query in the bulk hopper with light barrier divided into two parts	–
<b>Cover for BBR</b>	Cover over the bulk hopper made of transparent acrylic glass	–